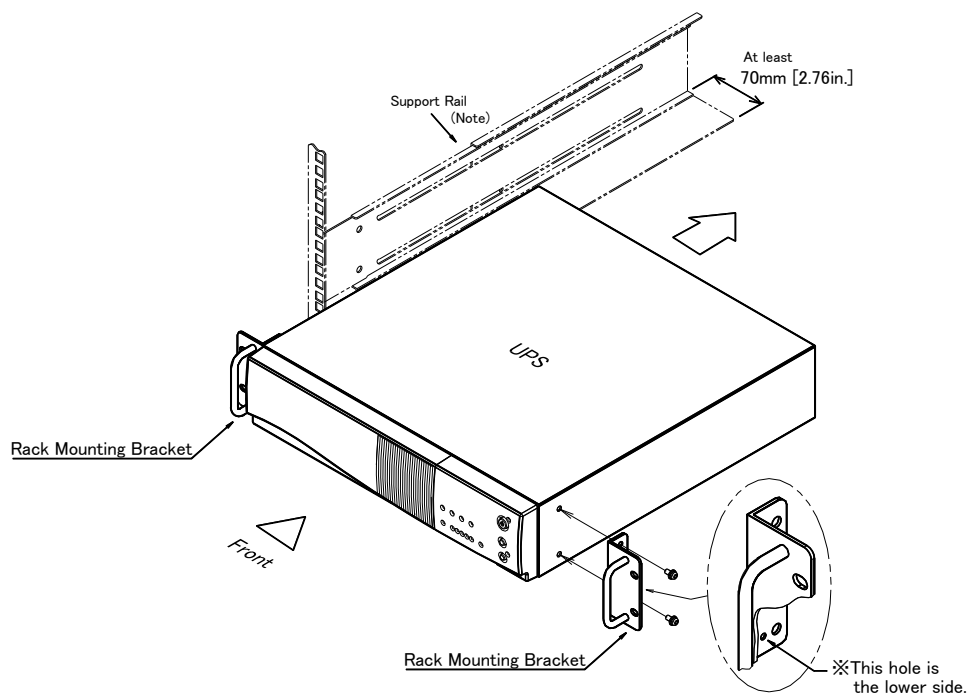



## Rack Mounting Bracket Installation



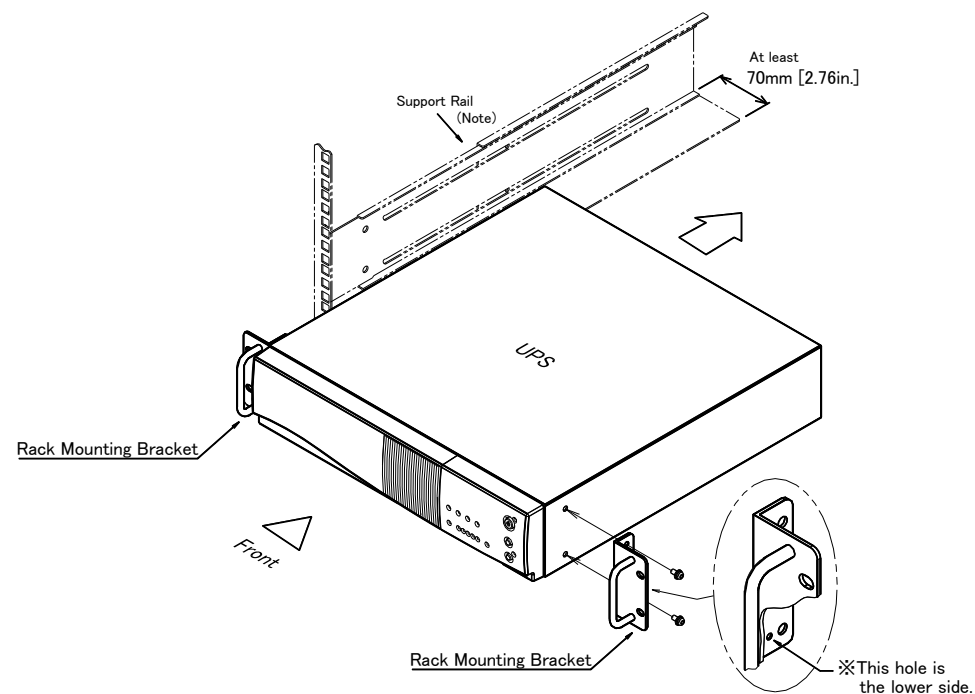
Install the Rack Mounting Brackets to the both sides of the UPS (or the Power Distribution Unit) with the supplied screws, as above.

Note : Be sure to use the Support Rails (Width: at least 70mm [2.76 in.]), when mounting the UPS (or the Power Distribution Unit) to the Rack.

About the Support Rails, please contact your sales representative or a Rack supplier for details.

M0008906 

## Rack Mounting Bracket Installation



Install the Rack Mounting Brackets to the both sides of the UPS (or the Power Distribution Unit) with the supplied screws, as above.

Note : Be sure to use the Support Rails (Width: at least 70mm [2.76 in.]), when mounting the UPS (or the Power Distribution Unit) to the Rack.

About the Support Rails, please contact your sales representative or a Rack supplier for details.

M0008906 