

**NiMH**  
battery

**SANUPS**

ONLINE UPS

**A11G-Ni**

UL Models



**SANYO DENKI**

# A11G-Ni

Double Conversion Online UPS  
without Toxic Lead-Acid Batteries

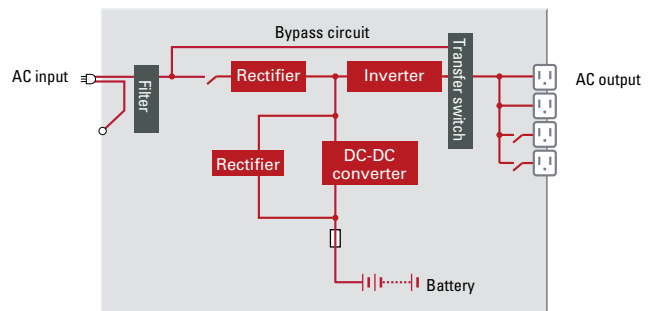


## Lineup

[No. of phases/wires] Input/Output voltage	Output capacity		Battery backup time
	(kVA)	(kW)	Standard
[Single-phase 2-wire] <b>100 V</b> model 100, 110, 115, 120 V	1.5	1.05	18 min
[Single-phase 2-wire] <b>200 V</b> model 200, 220, 230, 240 V	1.5	1.2	15 min

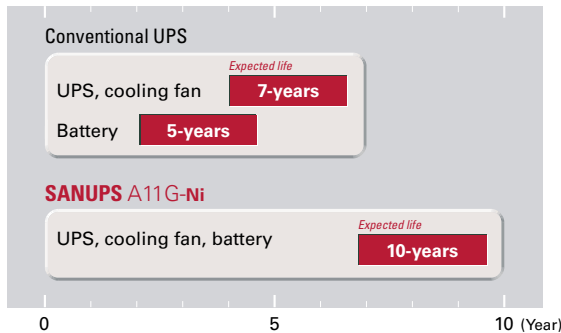


Circuit Diagram



## Maintenance-Free for 10 Years

- This UPS is equipped with nickel-metal hydride batteries.
- Expected battery life has doubled (to 10 years at 25°C) compared with conventional models.

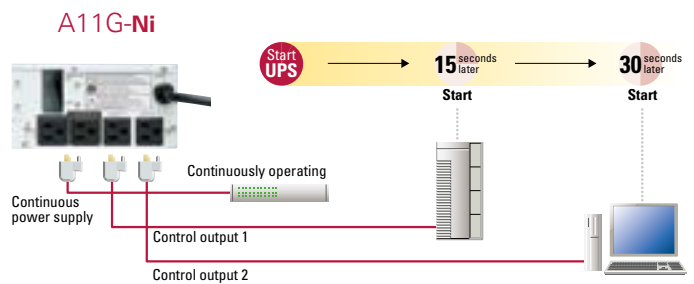


## Easy Setup for Sequential System Startup and Shutdown

- The timing of power on and shutdown of hard drives or servers can be easily scheduled.

Note: For 200 V models, control outputs 1 and 2 are enabled simultaneously.

[Configuration Example]



## Battery Cold Start Function

Batteries can start up the UPS even when grid AC power is not available, enabling inverter operation.

## Installation Examples



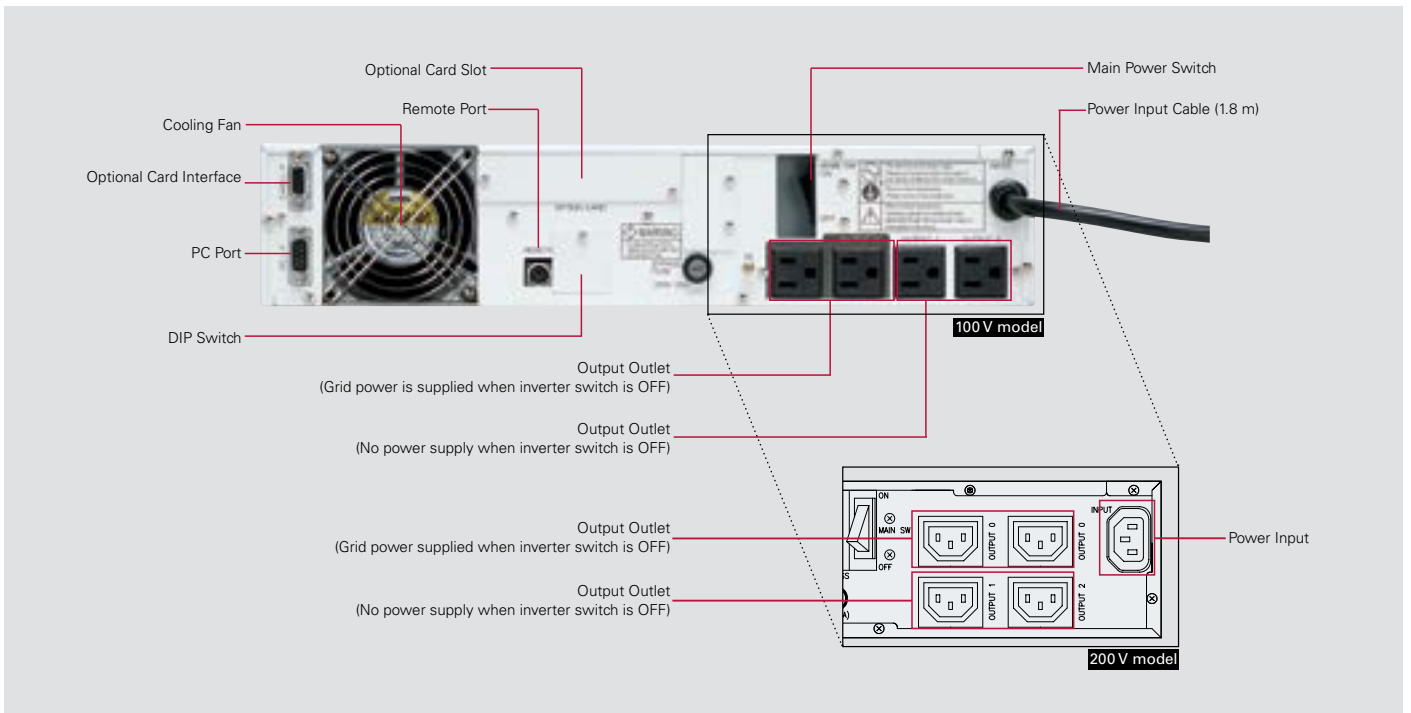
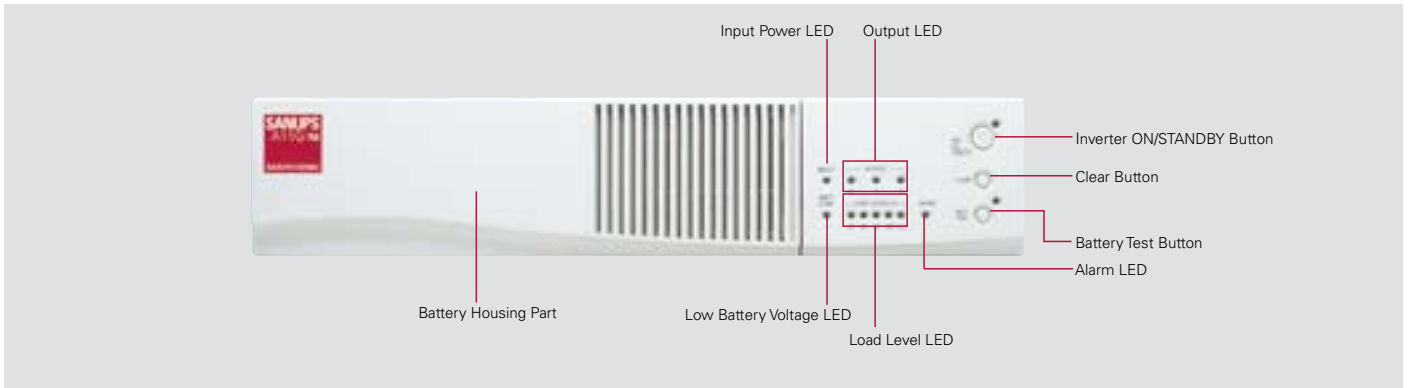
Mounted in an EIA standard 19-inch rack

Note: Mounting brackets and rack support rails are optional.


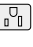




Vertical installation

**Views and Part Names**



**Outlet/Plug Types**

AC	Output capacity	Model no.	Input plug	Output outlet
100 V model	1.5 kVA	<b>A11GN152A001</b>	NEMA 5-15P 	NEMA 5-15R × 4 
200 V model	1.5 kVA	<b>A11GN152A002</b>	NEMA L6-20P 	IEC 60320-C13 × 4 

**Specifications**

Item	Model no.**	A11GN152A001	A11GN152A002	Remarks	
Rated output capacity* (apparent power / active power)		1.5 kVA / 1.05 kW	1.5 kVA / 1.2 kW		
System	Topology	True online double conversion			
	Rectifier	High power factor converter			
	Cooling method	Forced air cooling			
	Inverter	High-frequency PWM			
AC input	Number of phases/wires	Single-phase 2-wire			
	Voltage range	Within ±15% of rated output voltage			
	Rated frequency	50/60 Hz			
	Frequency range	Within ±1, ±3, or ±5% of rated frequency (factory setting: ±3%)			
	Required capacity	1.3 kVA	1.35 kVA	Max. capacity when batteries are fully charged	
	Input power factor	0.95 or greater			
AC output	Number of phases/wires	Single-phase 2-wire			
	Rated voltage	100, 110, 115, 120 V	200, 220, 230, 240 V	Selected at the time of shipment	
	Voltage regulation	Within ±2% of rated voltage			
	Rated frequency	50/60 Hz			
	Frequency regulation	During grid operation	Within ±1, ±3, or ±5% of rated frequency		Selectable (factory setting: ±3%)
		During battery operation	Within ±0.5% of rated frequency		
	Voltage harmonic distortion	At linear load	3% or less		At rated output
		At rectifier load	7% or less		At rated output
	Rated load power factor	0.7 (lagging)		0.8 (lagging)	Range: 0.7 (lagging) to 1.0
	Transient voltage regulation	Abrupt load change	Within ±5% of rated voltage		For 0 ⇌ 100% load step changes
		Loss/return of input power	Within ±5% of rated voltage		At rated output
		Abrupt input voltage change	Within ±5% of rated voltage		For ±10% changes
	Overcurrent protection	Automatic transfer to bypass (with automatic return function)			
Overload capability	Inverter	105% (for 200 ms)			
	Bypass	200% (for 30 s), 800% (for 2 cycles)			
Battery	Type	Nickel-metal hydride (NiMH) sealed cylindrical battery			
	Backup time	18 min	15 min (18 min at 1.05 kW)	At ambient temperature 25°C and rated output, under factory conditions	
Acoustic noise	40 dB or less			At 1 m from front of unit, A-weighting	
Heat dissipation	145 W				
Input leakage current	3 mA or less				
Safety standard	UL 1778 2nd edition (E226092), VCCI Class A				
Operating environment	Ambient temperature: 0 to 40°C; relative humidity: 30 to 90% (non-condensing)				

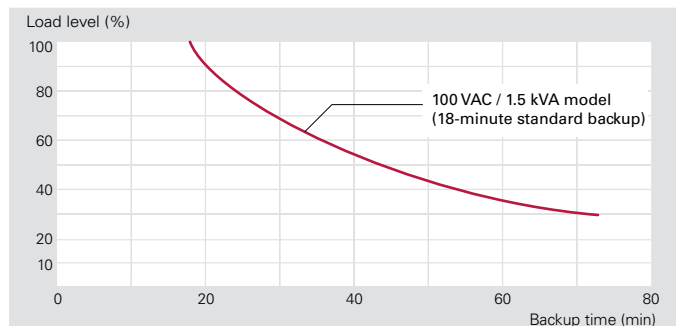
\* A11GN152A001 has the following rated output capacities in accordance with the UL standard. (The maximum output capacity is 1.5 kVA / 1.05 kW for each voltage)  
 1.25 kVA / 1.05 kW for 100 V; 1.35 kVA / 1.05 kW for 110 V; 1.45 kVA / 1.05 kW for 115 V; 1.5 kVA / 1.05 kW for 120 V.

\*\*The model number differs depending on the input/output voltage selection. Refer to the following table.

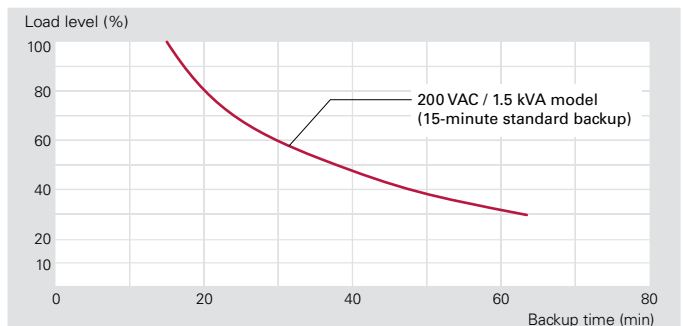
**Model List**

Input/Output rated voltage	Model no.
100 V	A11GN152A001
110 V	A11GN152A001-10
115 V	A11GN152A001-15
120 V	A11GN152A001-20
200 V	A11GN152A002
220 V	A11GN152A002-20
230 V	A11GN152A002-30
240 V	A11GN152A002-40

**Load Level vs Backup Time**

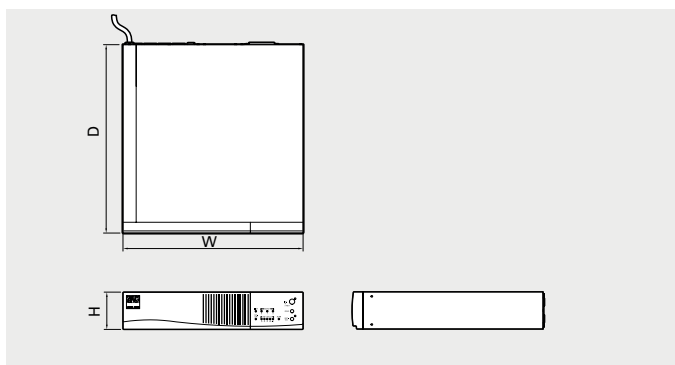


Note: At 25°C ambient temperature and load power factor of 0.7, under factory conditions.



Note: At 25°C ambient temperature and load power factor of 0.8, under factory conditions.

## Dimensions (Unit: mm)



W	D	H	Mass
410	540	86	24 kg

Paint color: Ivory (Munsell 6.6Y 8.3/0.8)

## Options

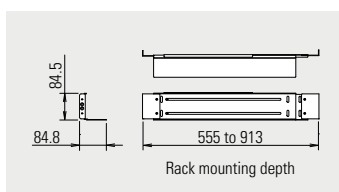
Item	Model	Description
LAN interface card	IPv6 model	<b>PRLANIF011B-US</b> This card enables 24/7 monitoring of UPS operations and status, and e-mail notifications to system administrators via network in the event of a power failure.
	Environment monitoring, IPv6 model	<b>PRLANIF013B-US</b> Combined with our temperature sensor ( <b>PRLANSN001</b> ) and humidity sensor ( <b>PRLANSN002</b> ), this model enables monitoring of UPS ambient temperature and humidity.
Dry contact interface card	Terminal block output	<b>PRCONIF001</b> This card outputs no-voltage signals to notify UPS status.
	D-sub connector	<b>PRCONIF003</b> A and B contacts can be selected for each signal.
SANUPS SOFTWARE	Windows version, IPv6 model	<b>PMS50□00E<sup>(2)</sup></b> Computer-based power management software (installation required) For updated OS support information, please refer to our website.
	Multi-OS version <sup>(1)</sup> , IPv6 model	<b>PMS51□00E<sup>(2)</sup></b> For bulk purchase of software licenses, append an appropriate -suffix to the model number.
Rack mounting brackets	<b>RMASEB02R-US</b>	Used for mounting the UPS on a standard 19-inch rack.
Rack support rails	<b>RM014R-US</b>	Used for mounting the UPS on a standard 19-inch rack.

Note: Optional products have different operating temperature ranges from the UPS.

<sup>(1)</sup> Supports Windows, Unix, and Linux.

<sup>(2)</sup> The □'s denote revision characters.

## Rack Support Rail Dimensions (Unit: mm) Rack mounting brackets are optional.



A pair of left and right rails. Shown is the left rail.

## Notes before Purchase

- Before installing, assembling, and using the product, please read Instruction Manual carefully and use it properly.
  - When using this product in the following applications, consult us in advance because special considerations are required for operation, maintenance, and management.
    - (a) Medical equipment that may have direct effects on human life or human body.
    - (b) Trains, elevators, and other machinery that can cause injury.
    - (c) Socially and publicly important computer systems.
    - (d) Other equipment that is related to safety of human life and that can have major impact on maintenance of public functions.
  - For use in an environment where vibration is present, such as in a car or a ship, please consult us in advance.
  - Never attempt to disassemble or alter the product in any way.
  - For installation and maintenance work of the product, please consult us or properly licensed personnel.
  - Products listed in this catalog may be regulated by export laws and regulations in each country. When exporting these products, compliance with each country's respective export laws and regulations is highly recommended.
  - SANYO DENKI will not be liable for any direct or indirect damages or loss, including but not limited to equipment downtime, missed power sales revenue, business interruptions, increased power purchases, resulting from the use of or inability to use our products or services.
- Note: For any inquiry or consultation, please contact our sales department.

---

### SANYO DENKI CO., LTD.

3-33-1 Minami-Otsuka, Toshima-ku, Tokyo 170-8451, Japan

<https://www.sanyodenki.com>

TEL: +81 3 5927 1020

---

### SANYO DENKI AMERICA, INC.

468 Amapola Avenue Torrance, CA 90501, U.S.A.

TEL: +1 310 783 5400

---

The names of companies and/or their products specified in this catalog are the trade names, and/or trademarks and/or registered trademarks of such respective companies. Specifications are subject to change without notice.

CATALOG No.P1034B001 '18.7